

HDBaseT-C Series

JS-Z300HDC

- HDBT™
- HDCP2.2
- HDMI2.0
- 4K@60Hz
- PoC



Overview

JS-Z300HDC is a Tabletop Cover-lift Interconnect Box which supports HD conversion and long distance transmission. It can transmit TYPE-C, HDMI and Audio signals up to 150m(4K@30Hz) or 90m(4K@60Hz) over one CAT6 cable which is easy to install. JS-Z300HDC delivers uncompressed video & digital audio to a network of devices or to a single device (point to point). It supports resolutions up to 4K@60Hz.

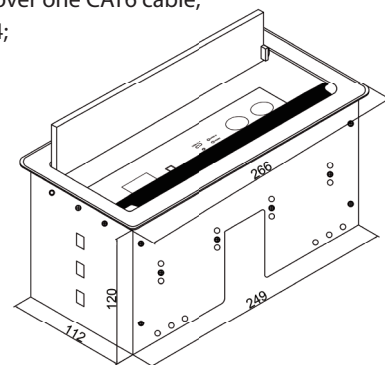
Product Features

- Transmits HD Video and Audio signals up to 150m(4K@30Hz) or 90m(4K@60Hz) over one CAT6 cable;
- Supports 4K@60Hz 4K@30Hz 1080P signal transmission, 4K@60 RGB/YCBCR 4:4:4;
- Input: Type-C, HDMI signal;
- HDBaseT compliant;
- Supports HDMI 2.0 version; HDCP2.2 version;
- Supports PoC function;
- Supports auto /manual signal switch two operations;
- Supports HDCP, EDID compliant and DDC function.

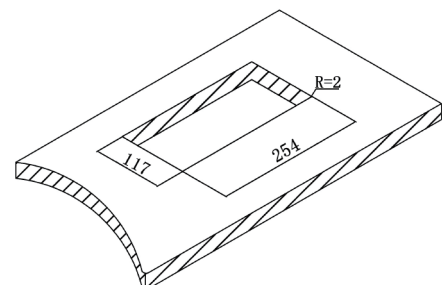
Main Specification

Video Input: 1*HDMI, 1*Type C [19-pin female], 1*USB-B, 1*3.5mm Audio
Output: 1*HDBaseT signal
Output connector type: RJ45 (HDBaseT signal)
Transmission protocol: HDBaseT compliant
Bandwidth: HDMI: 18Gbps Type-C: 5.4 Gbps
HDMI video resolution: up to 4K2K@60Hz 4:4:4
Color space: RGB 4:4:4, YCbCr 4:4:4, YCbCr 4:2:2, YCbCr 4:2:0
Bit depth: 8/10/12bit

Audio HDMI audio format: LPCM 7.1CH, Dolby True HD, and DTS-HD Master
Analog Audio embedding: 48KHz



Overall Dimension(mm)



Cutout Dimension(mm)

Environmental Standard: HDMI 2.0 version HDCP 2.2 version
 Transmission distance: 90m (4K@60Hz signal) 150m (4K@30Hz 1080P signal)
 Power: 100 ~ 240V (built in 24V converter) 24V/1A support double-sided PoC power supply
 Power: ≤ 20W
 Operating temperature: -10° C ~ +55° C
 Humidity: 20% ~ 95%RH (Non-condensing)

Dimension Panel : 266mm*130mm
 Cutout :254mm*117mm R=2mm (Suggest to open hole as real product)



Open

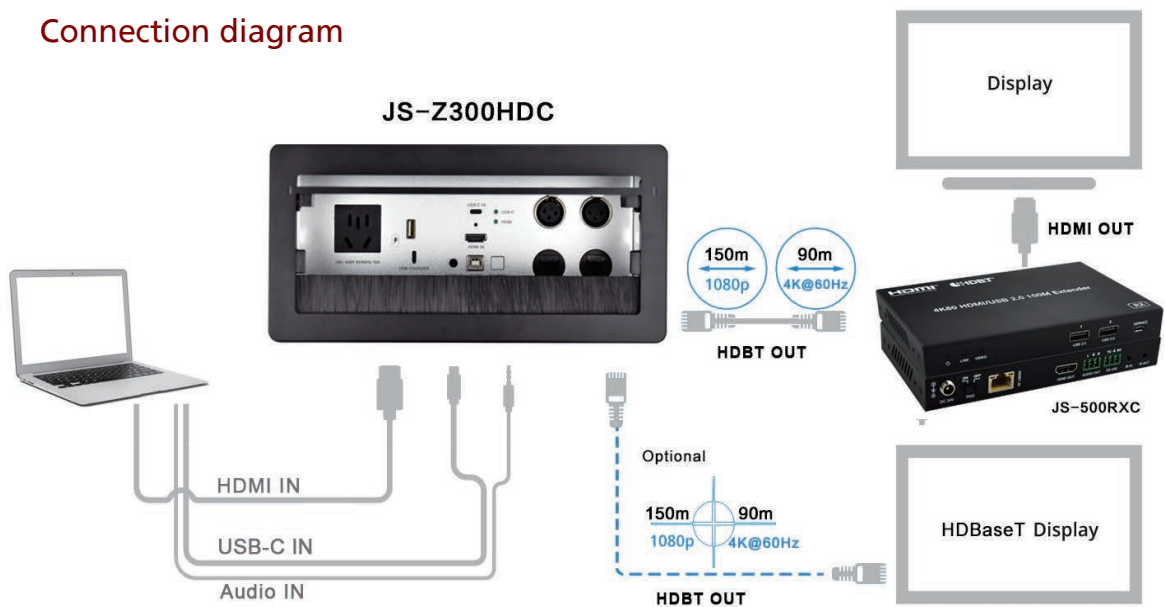


Closed



Overall

Connection diagram



CONNECTOR OPTIONS



AC OUTLET OPTIONS

