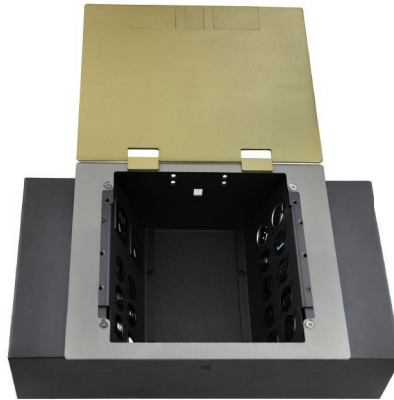


JS-DC400ST

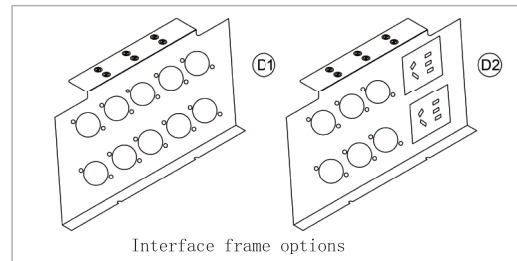


Description

JS-DC400ST Floor box can be permanently installed on different grounds to solve various ports for connecting wiring from the ground. Big cable pass through holes accept cables come out when panel closed.

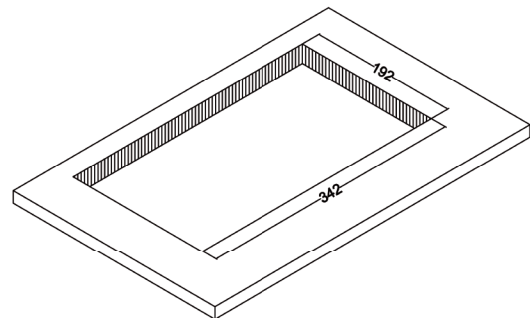
Product Features

- With small outer panel and can accommodate multi connectors;
- Multi panel options to integrate into the work environment more effectively;
- Connector Options:
 max accommodate 2 power + 16 media connectors;
 max accommodate 4 power + 12 media connectors;
 max accommodate 20 media connectors;
- The panel is formed integrally by laser cutting, strong load-bearing capacity.



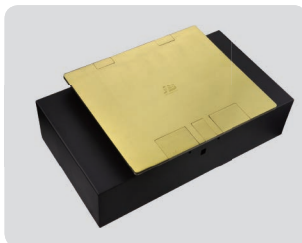
Main Specification

Model JS-DC400ST
 Temp. range 0~50°C(Non-condensing)
 Dimensions Panel :
 A,B Type: 240mm*210mm*6mm
 C,D Type: 220mm*190mm*19mm
 Box: 340mm*190mm*100mm
 Cutout:
 A,B Type: 342mm*192mm*100mm(±1mm)
 C,D Type: 342mm*192mm*119mm(±1mm)
 (Suggest to open hole as real product)



Cutout Dimension (mm)

Panel Configuration



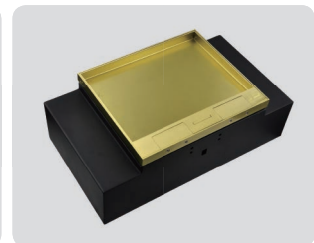
GOLD(A)



SILVER(B)



EMBEDDED(C)



EMBEDDED(D)

CONNECTOR OPTIONS



Female XLR Male XLR 3.5mm Audio BNC Video Speaker Shielded Cat6 Optical USB HDMI