

JS-DC400HD

- **HDBT™**
- **HDCP**
- **4K**
- **1080P/60Hz**



Overview

JS-DC400HD is a Floor Box which supports HD conversion and long distance transmission. It can transmit VGA, Audio or HDMI signals up to 100 meters over one CAT6 cable which is easy to install.

JS-DC400HD delivers uncompressed video & digital audio to a network of devices or to a single device (point to point). It supports resolutions up to 1920x1080P@60Hz and Blu-Ray Player and it is HDCP Compliant (Optional).

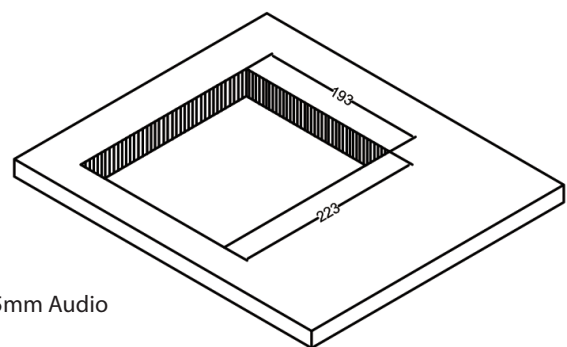
Product Features

- Transmits HDMI/VGA and audio signals up to 100 meters over the twisted pair cable (4K signal up to 70m).
- Supports 1920x1200 1080p@60Hz 4K 30Hz , YCbCr 4:2:0;
- VGA with audio, HDMI signal inputs;
- HDBaseT compliant;
- Supports HDMI1.4 version; HDCP2.0 version;
- Supports Manual/Auto Switch;
- HDCP Compliant, supports EDID and DDC;
- Supports Audio De-embedding (3P Phoenix output);
- Bevel surface with Modular design, panel can be closed after cable connected;
- Supports multiple panel options, integrate into the work environment more effectively;
- Supports different ports combination: accommodate 1 *HDBaseT panel+2 *AC power +2 *XLR type modulars, or 1 *HDBaseT panel+6*XLR type modulars;
- Panel adopts laser cutting, high bearing capacity.

Main Specification

Video : Input: 1 * HDMI, 1* VGA +3.5mm Audio
 Input connector type: 19 pin HDMI female , HD-15 VGA, 3.5mm Audio
 Output: 1 *HDBaseT signal, 1 *De-embedding Audio
 Output connector type: RJ45/8(HDBaseT signal), 3P Phoenix (Audio De-embedding) transport protocols: HDBaseT

Audio Frequency Response: 20 Hz ~ 20 kHz; CMRR: CMRR>75dB @: 20 Hz ~ 20 kHz
 Input Impedance: >10KΩ
 Input Level(Max): +21dBu
 SNR:>75dB @: 20 Hz ~ 20 kHz
 Type: Unbalance Stereo Analog

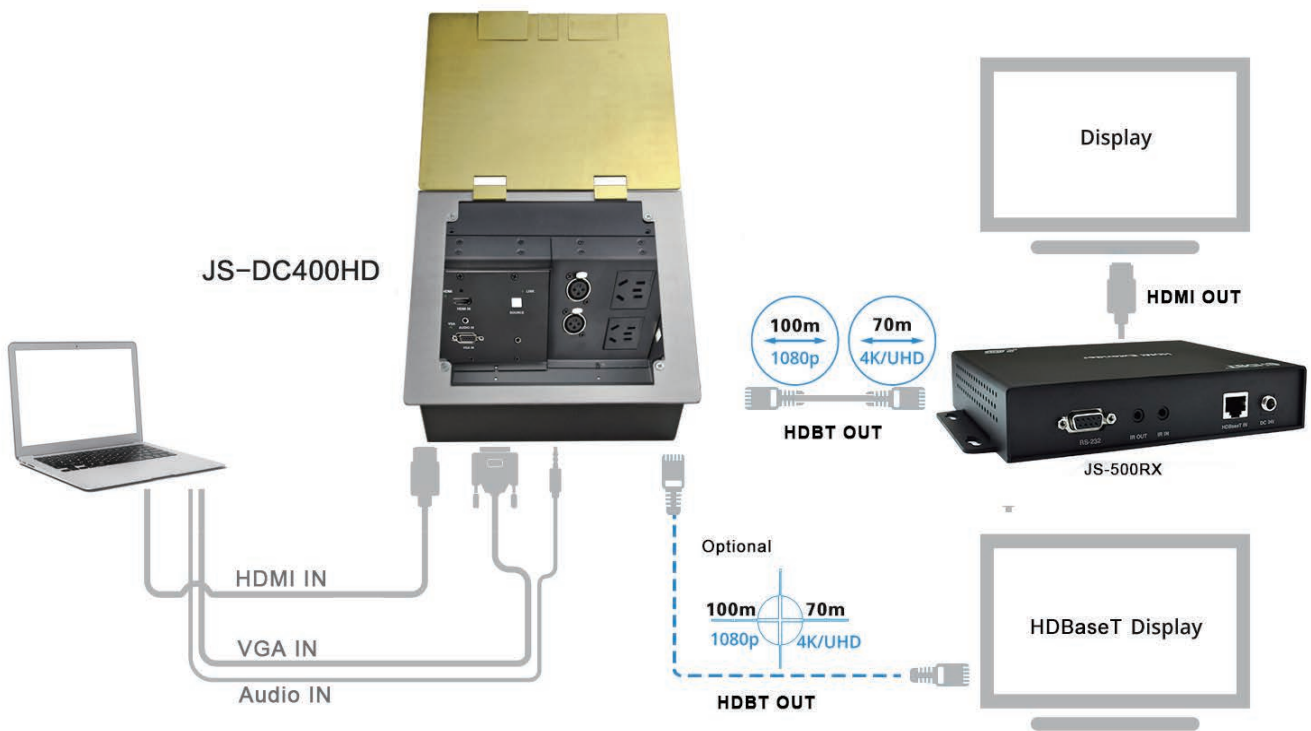


Cutout Dimension(mm)

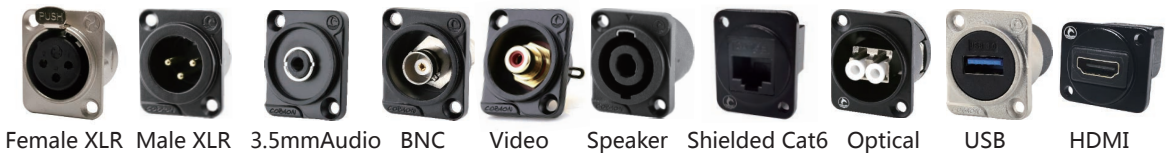
Regular Standard: HDMI1.4 version HDCP2.0 version
 Transmission distance:100 m(1080P signal)
 70 m(4K 30 Hz) Frequency bandwidth: 10.2Gbps
 AC Power :100 ~ 240V (Built-in 24V converter)
 Power: ≤ 20W
 Temperature (Operating): -10° C ~ +55° C
 Humidity: 20% ~ 95%

Dimension Panel :
 A,B type: 240mm*210mm*6mm
 C,D type: 220mm*190mm*19mm
 Bottom box : 220mm*190mm*100mm
 Cutout dimension :
 A,B type: 223mm*193mm*100mm(±1mm)
 C,D type: 223mm*193mm*119mm(±1mm)
 (Suggest to open hole as real product)

Connection diagram



CONNECTOR OPTIONS



AC OUTLET OPTIONS

