

JS-DC101HD

- HDMI
- EDID
- 1080P
- 4K



Overview

JS-DC101HD is a Floor Box which supports HD conversion. It uses high performance and professional conversion chip to transform VGA+AUDIO and HDMI signals into HDMI signal output. It supports VGA resolutions from 640*480 to 1920*1080p or 1920*1200. User can switch signals through push-button on the panel.

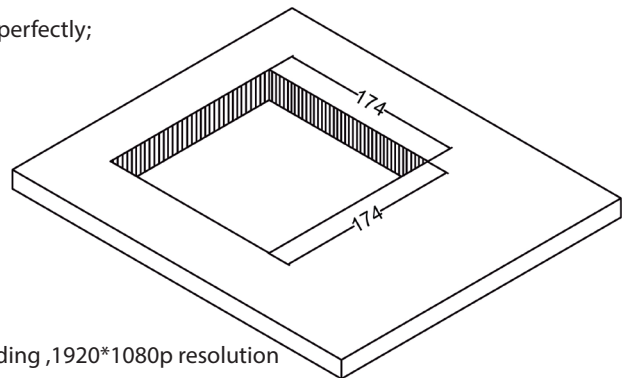
JS-DC101HD Floor Box provides an order, compact and permanent connecting solution for users. Cable pass through holes accept cables come out when panel closed. Panel of Stainless steel, anti slip, abrasion resistance, high bearing capacity.

Product Features

- 4mm stainless steel panel, with brushed treatment surface;
- Provides bottom box for floor installation.
- Supports VGA+AUDIO, HDMI signal inputs, HDMI signal output, includes the push-button with select and switch function;
- Adopts digital synchronous identification process technology, image output will be more stable;
- Complete SMD craft, special ESD protection technology;
- Supports signal timing reformed, shows 1920X1080P HD image perfectly;
- Supports Blu-ray embedded audio;
- Supports Key function.

Main Specification

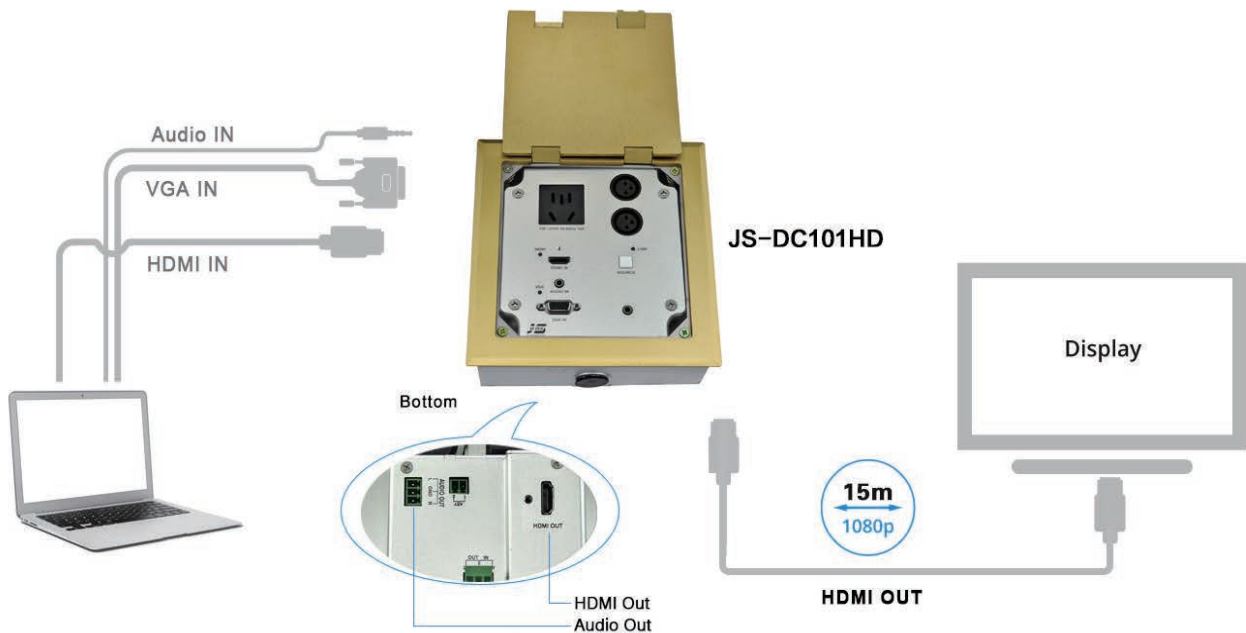
Signal input :	VGA+AUDIO、HDMI
VGA input formats :	VESA1.1 specification
Output format :	HDMI1.4, support audio embedding ,1920*1080p resolution
Audio input:	Stereo audio
Input signal noise reduction :	Support deinterlacing, 2D and 3D DNR etc
Digital signal input impedance:	difference 100Ω
Digital signal input arc:	800mVp-p
Analog signal input impedance:	75Ω
Analog signal input arc:	0.75Vp-p
Signal delay:	image delay (1 frame)



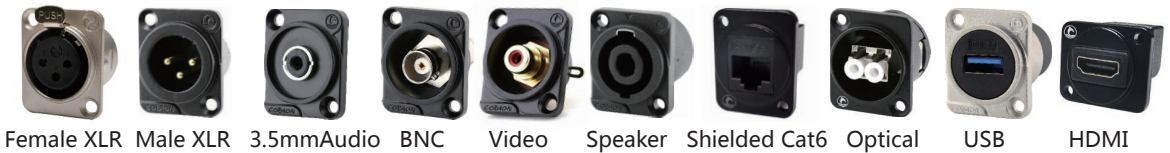
Cutout Dimension(mm)

Signal output: 1 route HDMI (Type-A HDMI latch female connector)
 HDMI output: HDMI1.4, support audio embedding (when input source is HDMI, output HDMI Audio embedding; when input source is analog signal, audio input will be automatically selected as external audio)
 Audio output: 3P Phoenix Type: Unbalance Stereo Analog
 Dimensions: Panel: 180mm*180mm*4mm
 Box Dimension: 172mm*172mm*65mm

Connection diagram



CONNECTOR OPTIONS



AC OUTLET OPTIONS

