

JS-DC100HD

- **HDBT™**
- **HDCP**
- **4K**
- **1080P/60Hz**



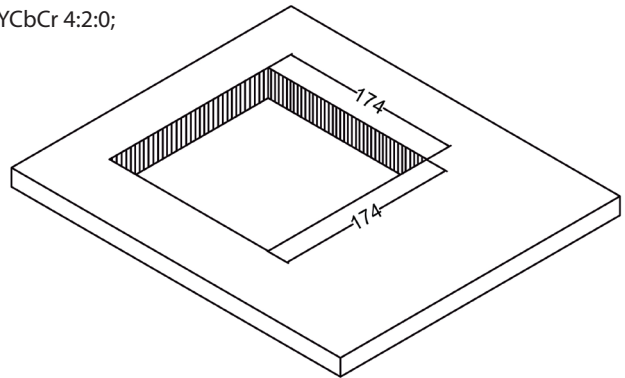
Overview

JS-DC100HD is a Floor Box which supports HD conversion and long distance transmission. It can transmit VGA, Audio or HDMI signals up to 100 meters over one CAT6 cable which is easy to install.

JS-DC100HD delivers uncompressed video & digital audio to a network of devices or to a single device (point to point). It supports resolutions up to 1920x1080P@60Hz and Blu-Ray Player and it is HDCP Compliant (Optional).

Product Features

- Transmits HD video, audio and 1080p signals up to 100m over the twisted pair CAT6 cable(4K signal up to 70m);
- Supports 1920x1200 1080P@60Hz 4K 30Hz signal transmission, YCbCr 4:2:0;
- Input support: VGA+ Audio, HDMI signal;
- HDBaseT compliant;
- Supports HDMI 1.4 version; HDCP 2.0 version;
- Supports auto /manual signal switch two operations;
- Supports HDCP, EDID compliant and DDC function;
- Audio De-embedding function(3pin terminal output).



Cutout Dimension(mm)

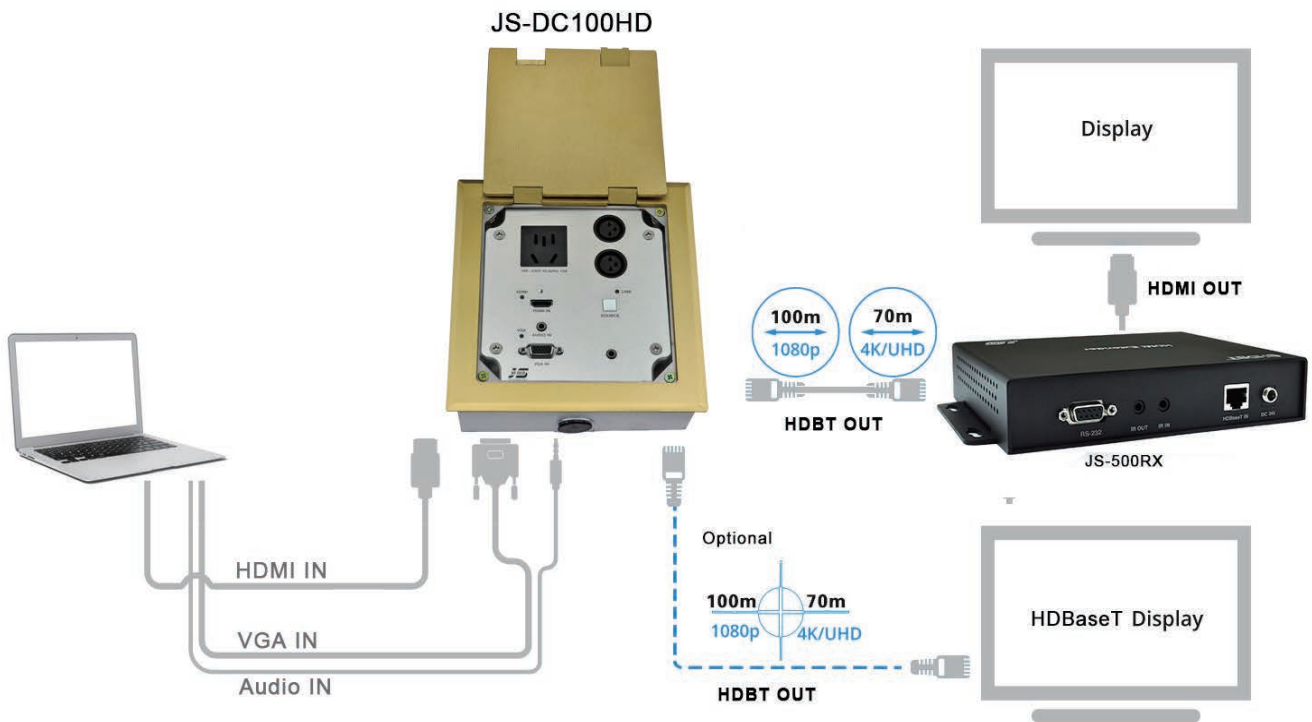
Main Specification

Video Input: 1* HDMI, 1*15 pin VGA + Audio
 Input connector type: 1 x HDMI [Type A, 19-pin female], 1 xHD-15 VGA, 1x3.5mm Audio
 Output: 1xHDBaseT, 1xDe-embedding Audio
 Output connector type: RJ45/8(HDBaseT signal), 3P termianl(De-embedding Audio)
 Transmission protocol: HDBaseT compliant

Audio Frequency Response:20Hz-20KHz; CMRR: CMRR
 >75dB @ 20Hz-20KHz
 Input Impendance: >10KΩ
 Input Level(Max): +21 dBu
 SNR: >75dB @ 20Hz-20KHz
 Type: Stereo Analog, Unbalance

Environmental	Standard: HDMI 1.4 version HDCP 2.0 version Transmission distance: 100m (1080P signal) 70m (4K@30Hz signal) Bandwidth: 10.2Gbps Power: 100 ~ 240V (build in 24V converter) Power: ≤ 20W Operating temperature: -10° C ~ +55° C Humidity: 20% ~ 95%RH (Non-condensing)
Dimensions	Panel: 180mm*180mm*4mm Box Dimension: 172mm*172mm*65mm

Connection diagram



CONNECTOR OPTIONS



AC OUTLET OPTIONS

