

JS-500RX

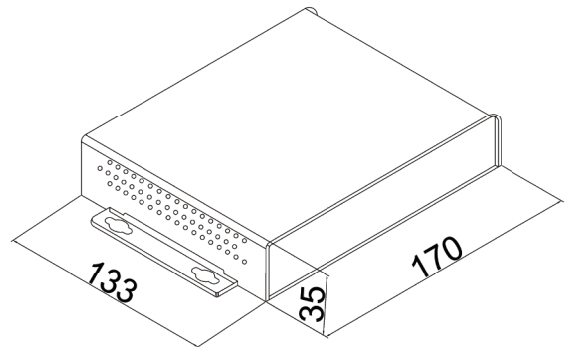


Overview

JS-500RX can be used as a receiver for the HDBaseT output from JS Long distance transmit interconnect box, it provides economical means of extending 1080p/ 60Hz video signals up to 100 meters.

Product Features

- HDMI 1.4, HDCP 2.0 compliant;
- Supports equalization, gain adjustment and clock recovery;
- Supports maximum 1080P/UXGA HD input, and output has the same resolution as the input;
- Easy installation and operation;
- No signal loss after transmitting for 100 meters if routed back;
- Link indicator light;
- HDCP protocol safe indicator light;
- With RS232 control capability;
- With IR Control.



Overall Dimension (mm)

Main Specification

Receiver input port: 1 X Cat6 RJ45 8pin

Receiver output port: 1 X HDMI socket

Resolution: 720P50/60, 1080i 50/60HZ, 1080p 50/60HZ

HDTV: 640x480=VGA72, VGA75, VGA85

PC:
 800x600=SVGA56, SVGA60, SVGA72, SVGA75, SVGA85
 1024x768=XGA60, XGA70, XGA75, XGA85
 1280x1024=SXGA60, SXGA75, SXGA85
 1600x1200=UXGA60
 1920x1200=shorten edge blanking WUXGA